

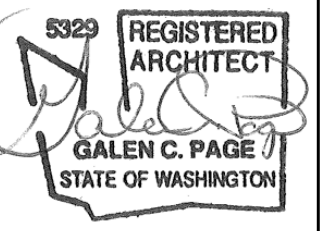
PERMIT SET

JOB NO: 13.39

DATE: 10/11/2013

REVISIONS:

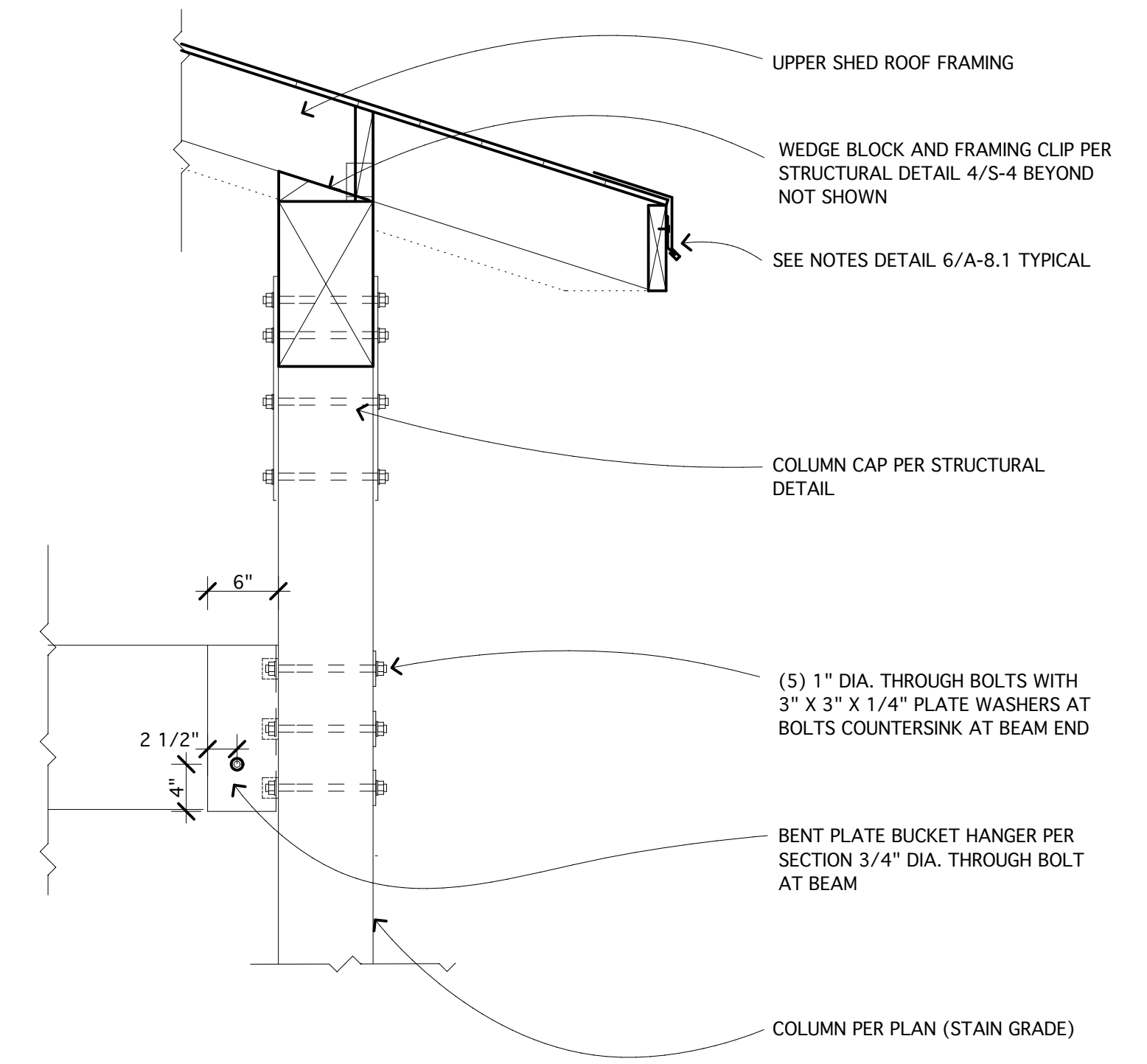
THIS DOCUMENT REPRESENTS A PROPRIETARY DESIGN OWNED BY THE ARCHITECT AND SHALL NOT BE USED ON OTHER PROJECTS FOR ADDITIONS TO THIS PROJECT OR FOR COMPLETION OF THIS PROJECT BY OTHERS EXCEPT BY PRIOR ARRANGEMENT IN WRITING.  
© PAGE & BEARD ARCHITECTS, P.S.



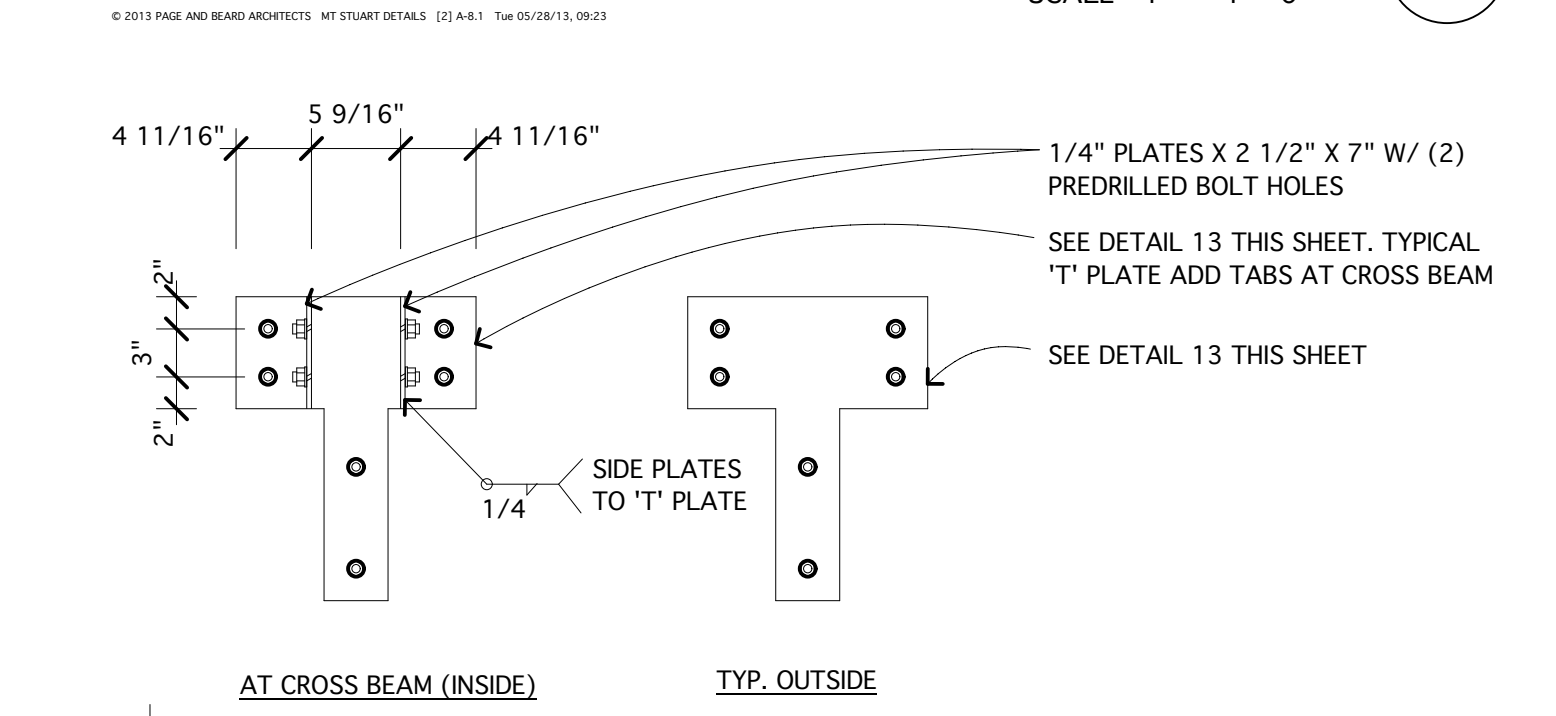
EXTERIOR DETAILS

SHEET

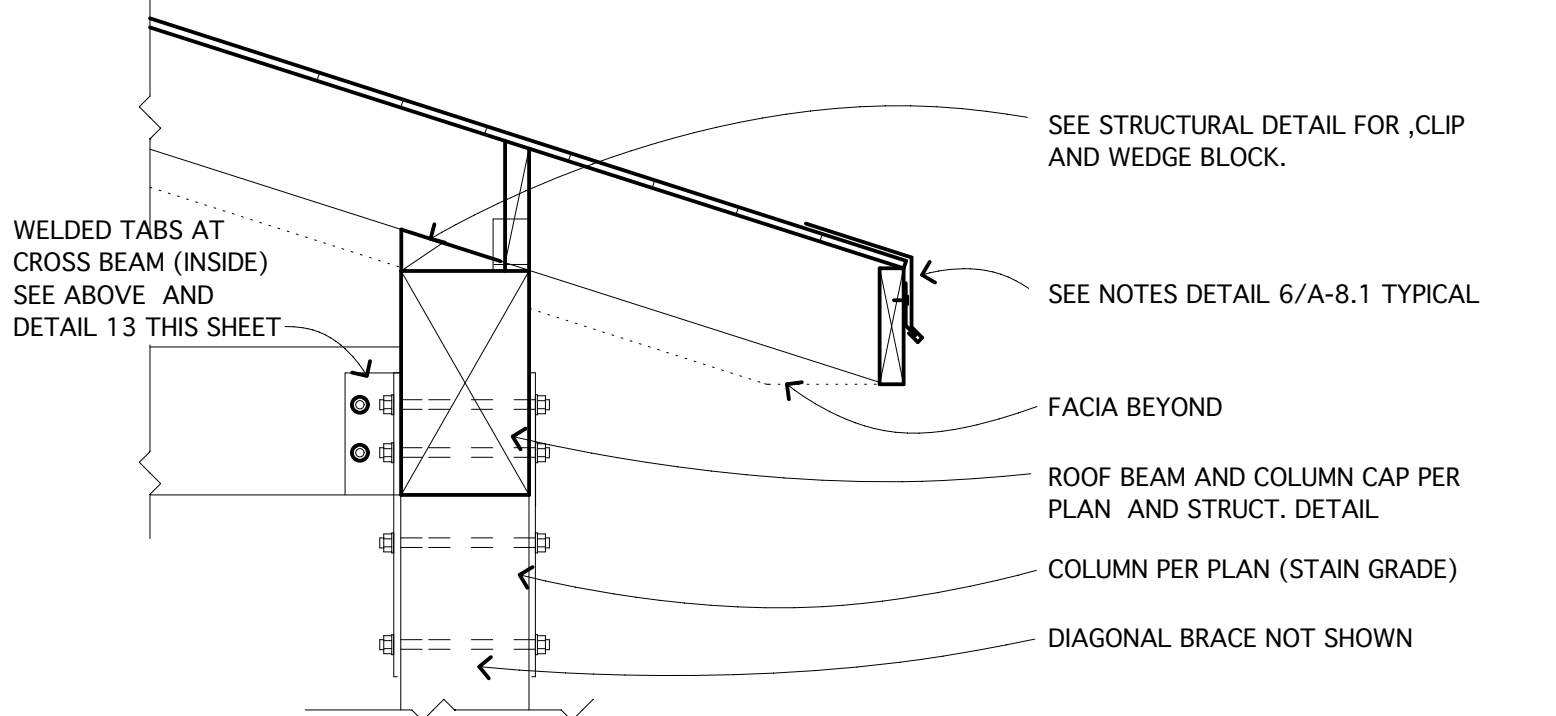
A-8.1



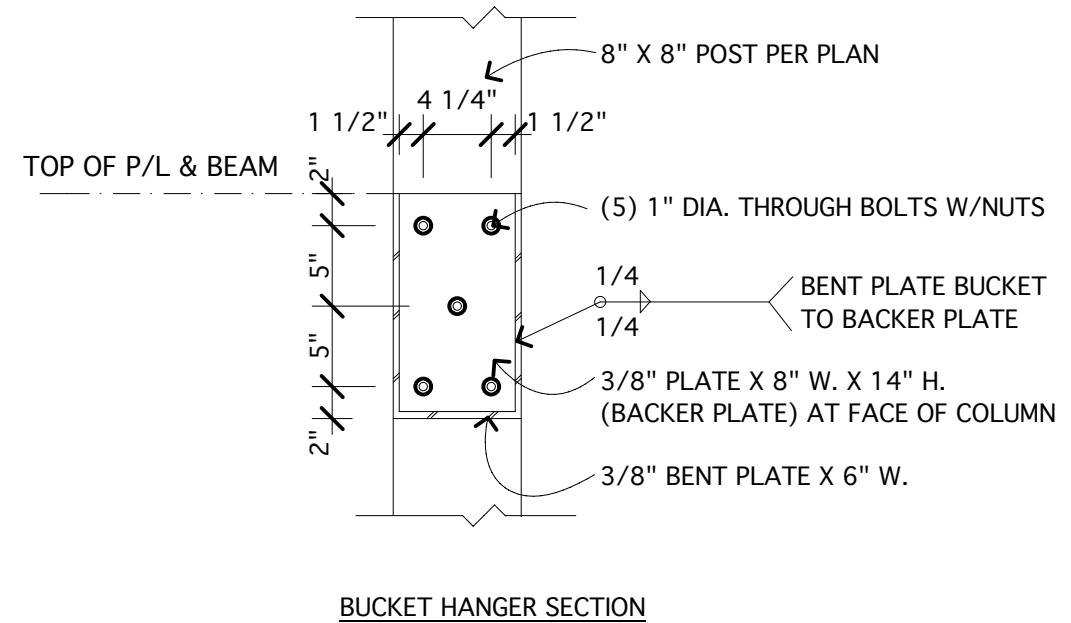
**POST/BEAM AT REAR PORCH SECTION** 4  
SCALE 1" = 1'-0"



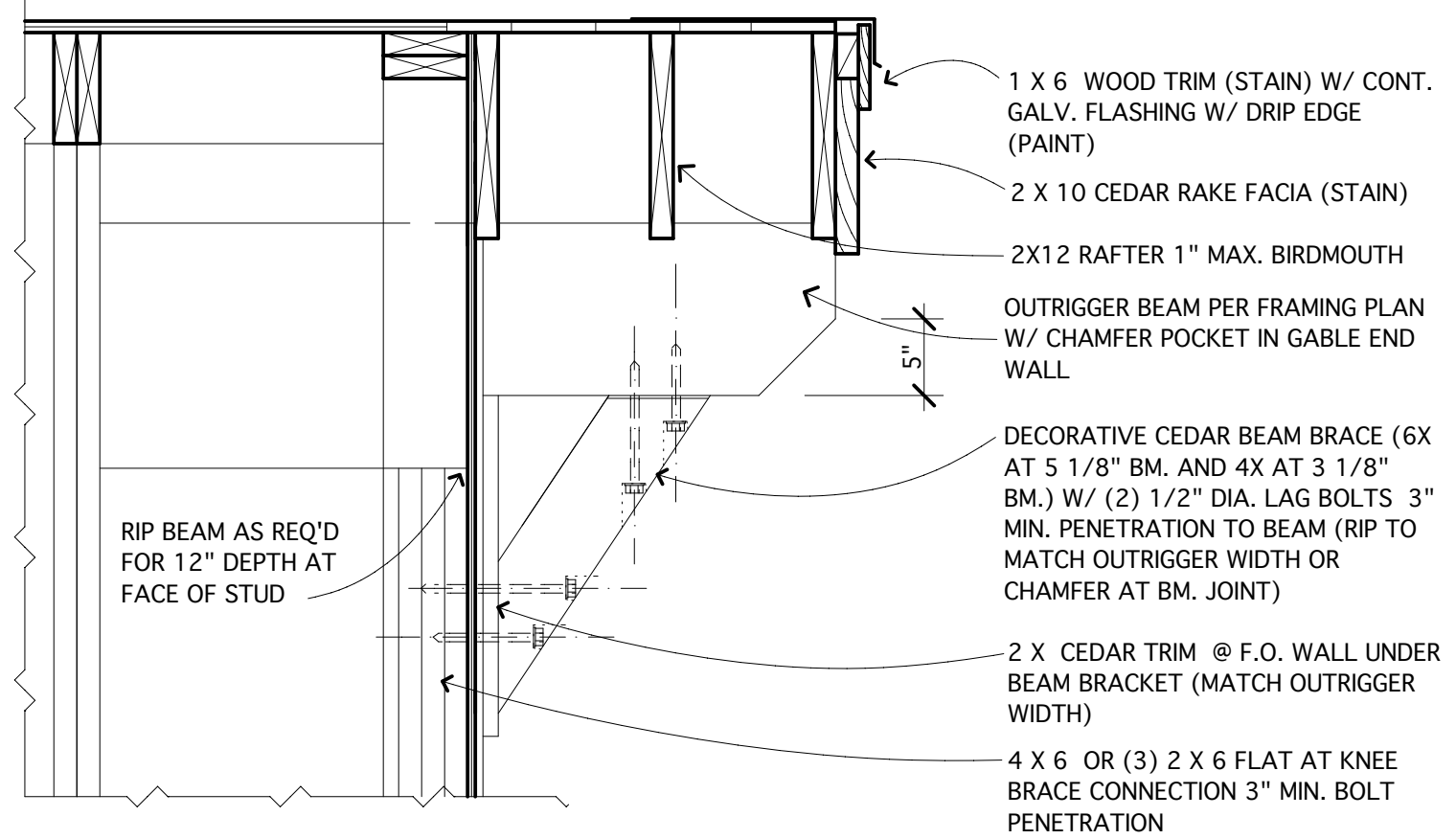
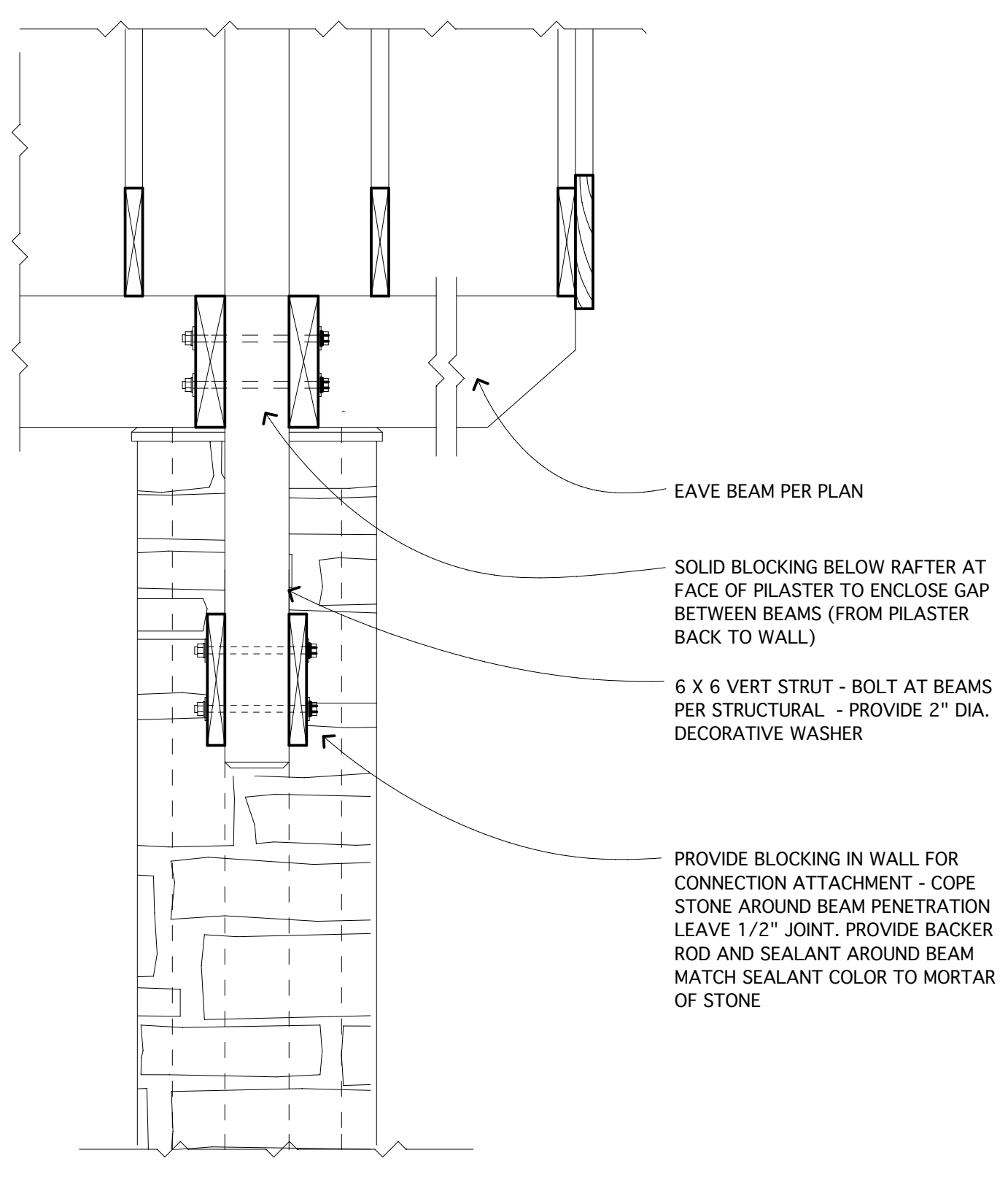
**BEAM AT FRONT PORCH** 6  
SCALE 1" = 1'-0"



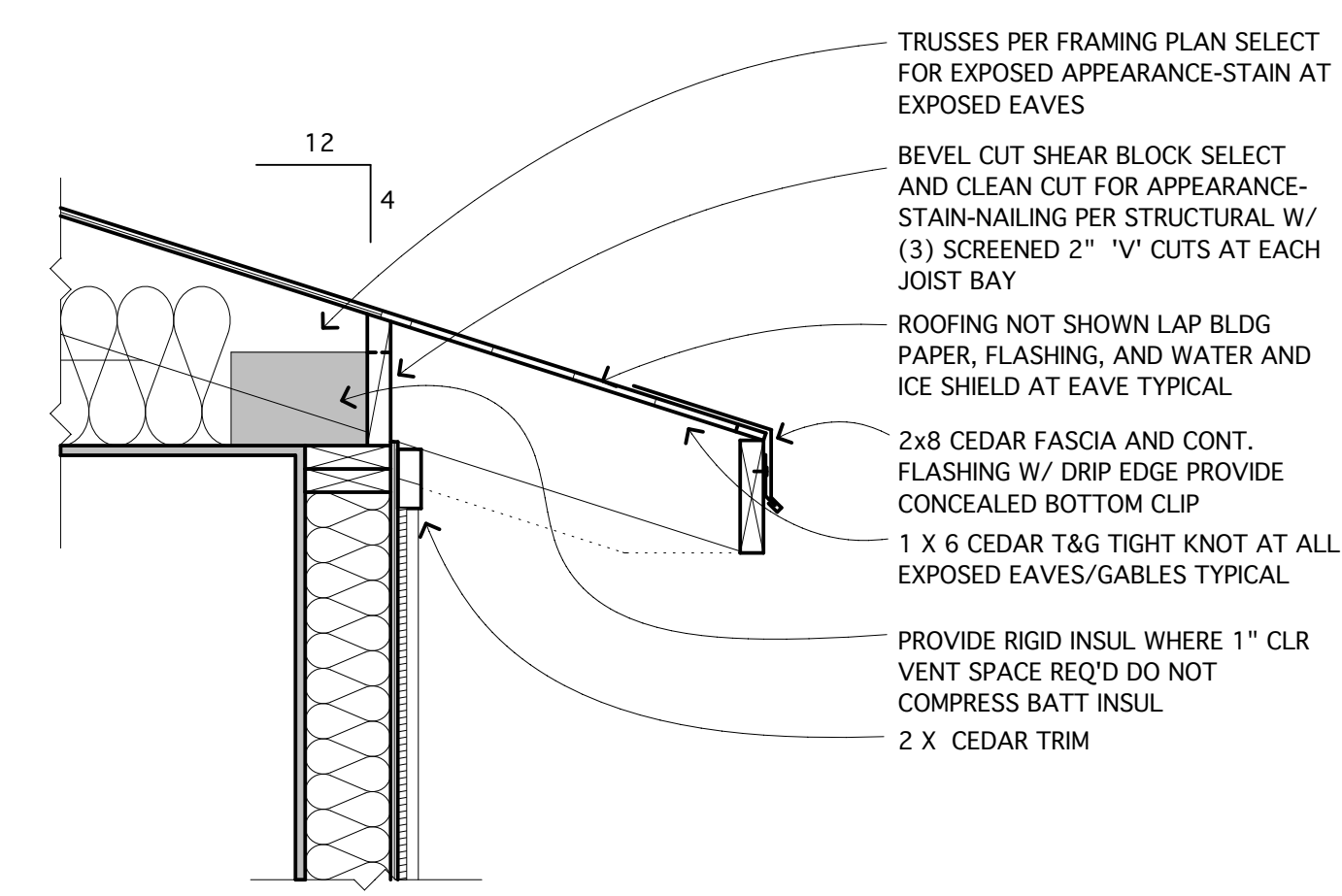
**END POST/BEAM AT REAR PORCH** 2  
SCALE 1" = 1'-0"



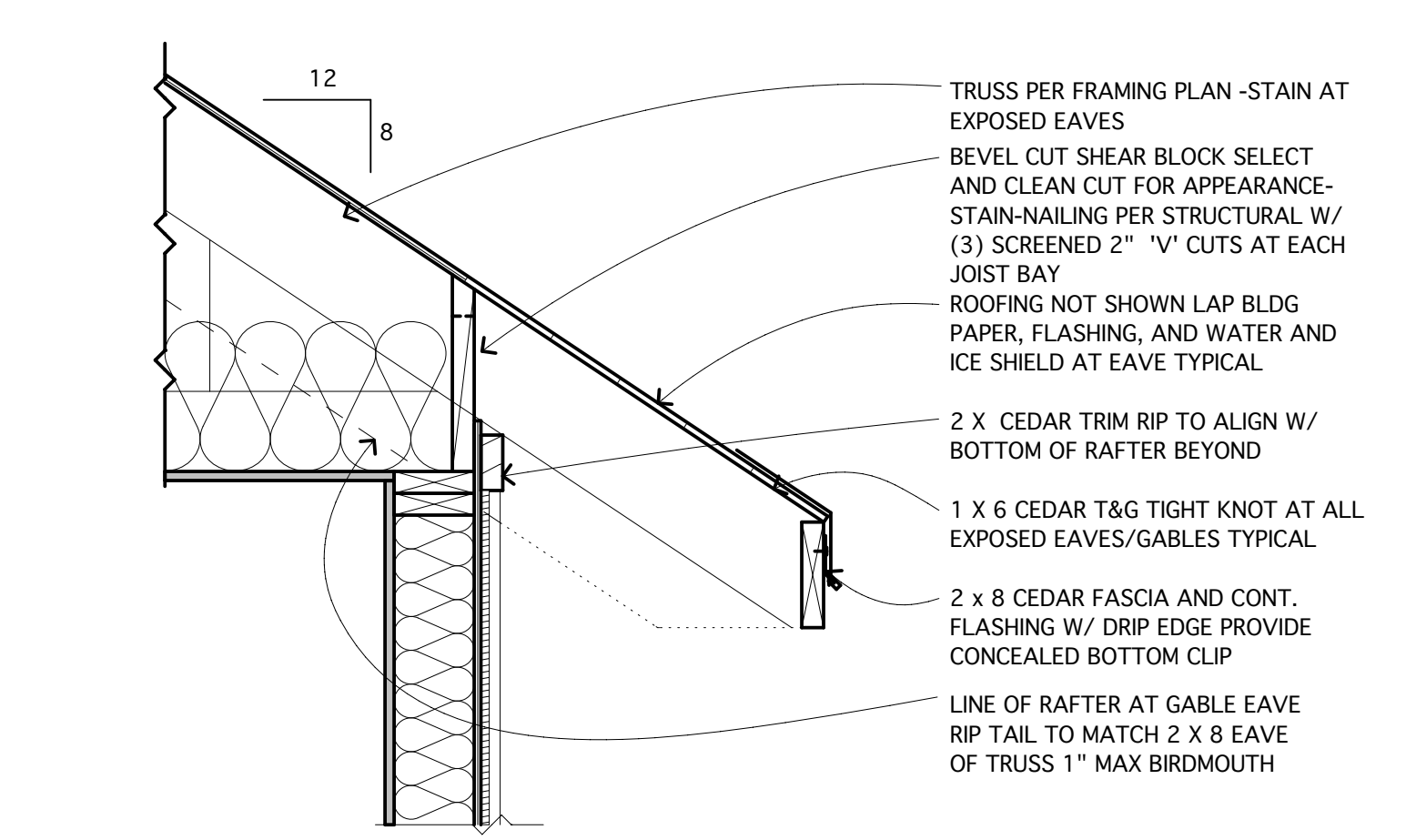
**DUAL PITCH RIDGE** 11  
SCALE 1" = 1'-0"



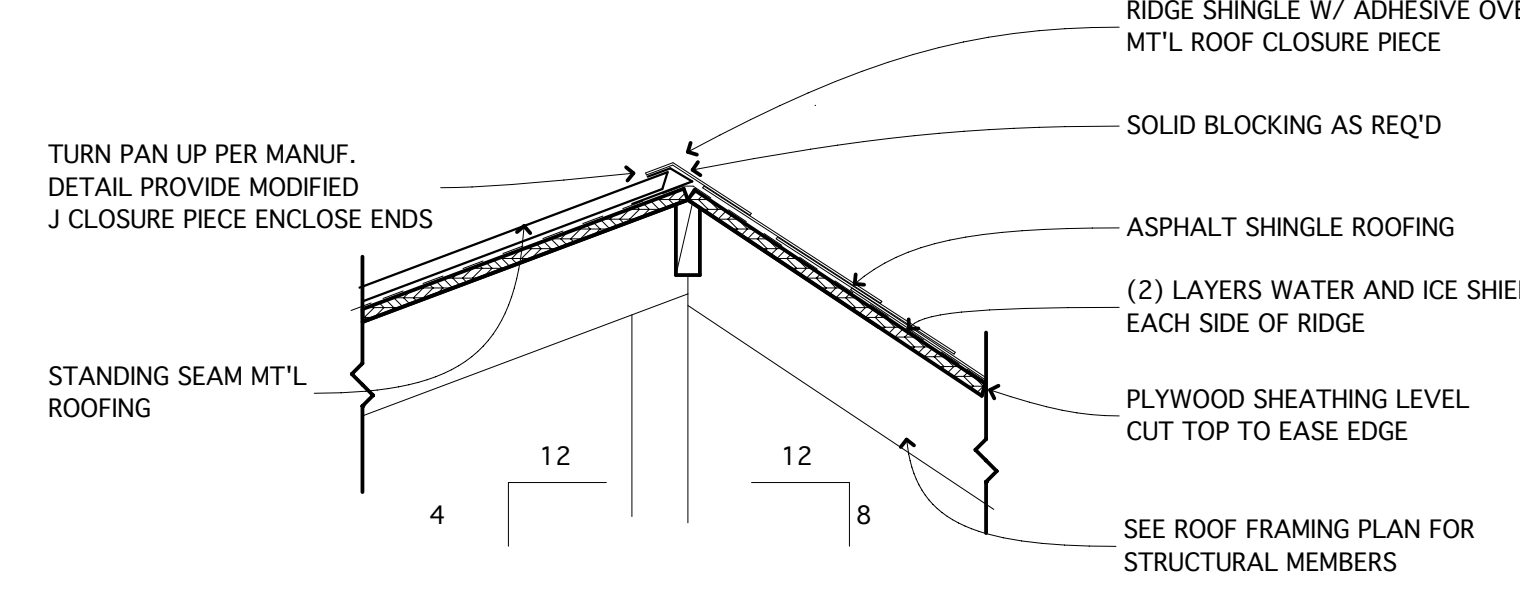
**RIDGE BEAM W/ KNEE BRACE** 10  
SCALE 1" = 1'-0"



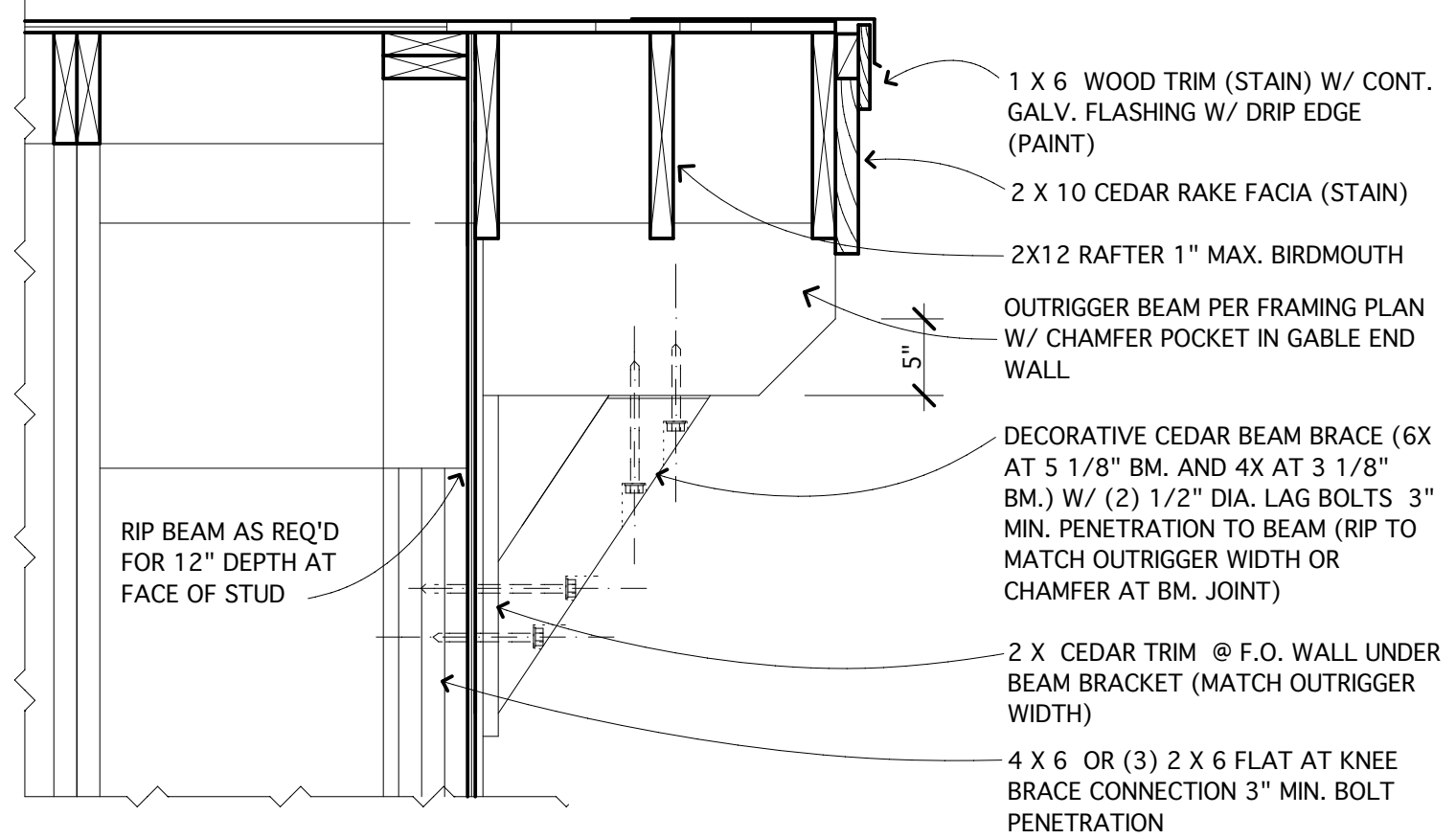
**EAVE AT SHED ROOF** 5  
SCALE 1" = 1'-0"



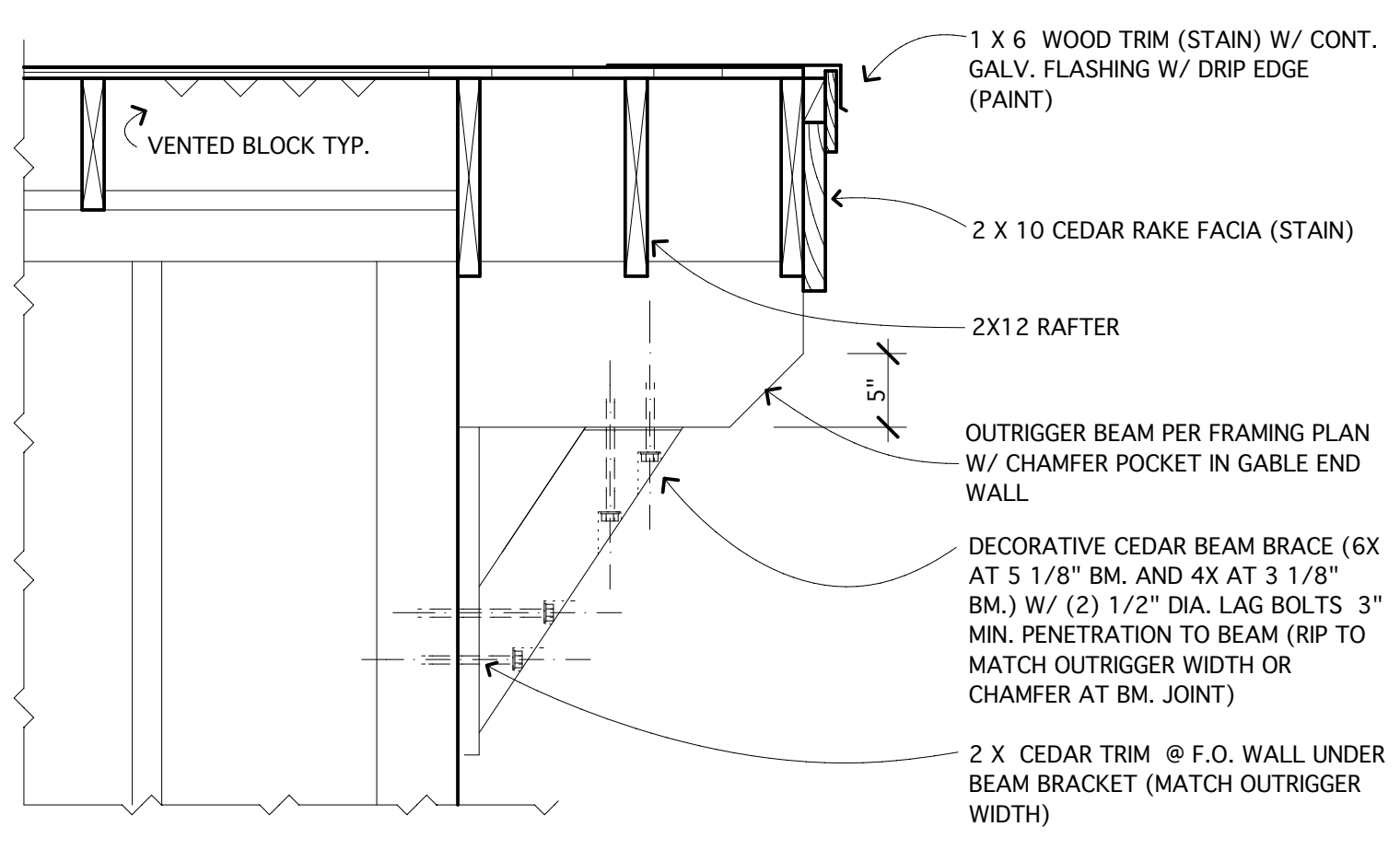
**TYPICAL EAVE** 1  
SCALE 1" = 1'-0"



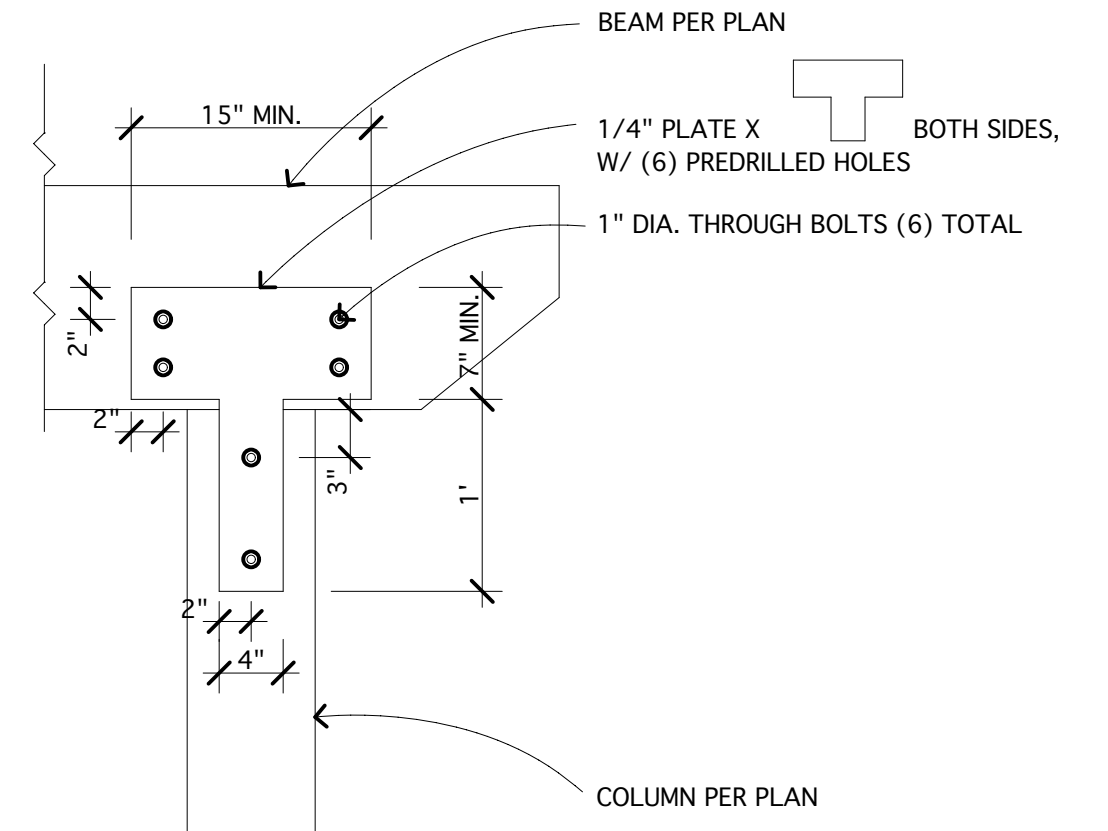
**DUAL PITCH RIDGE** 11  
SCALE 1" = 1'-0"



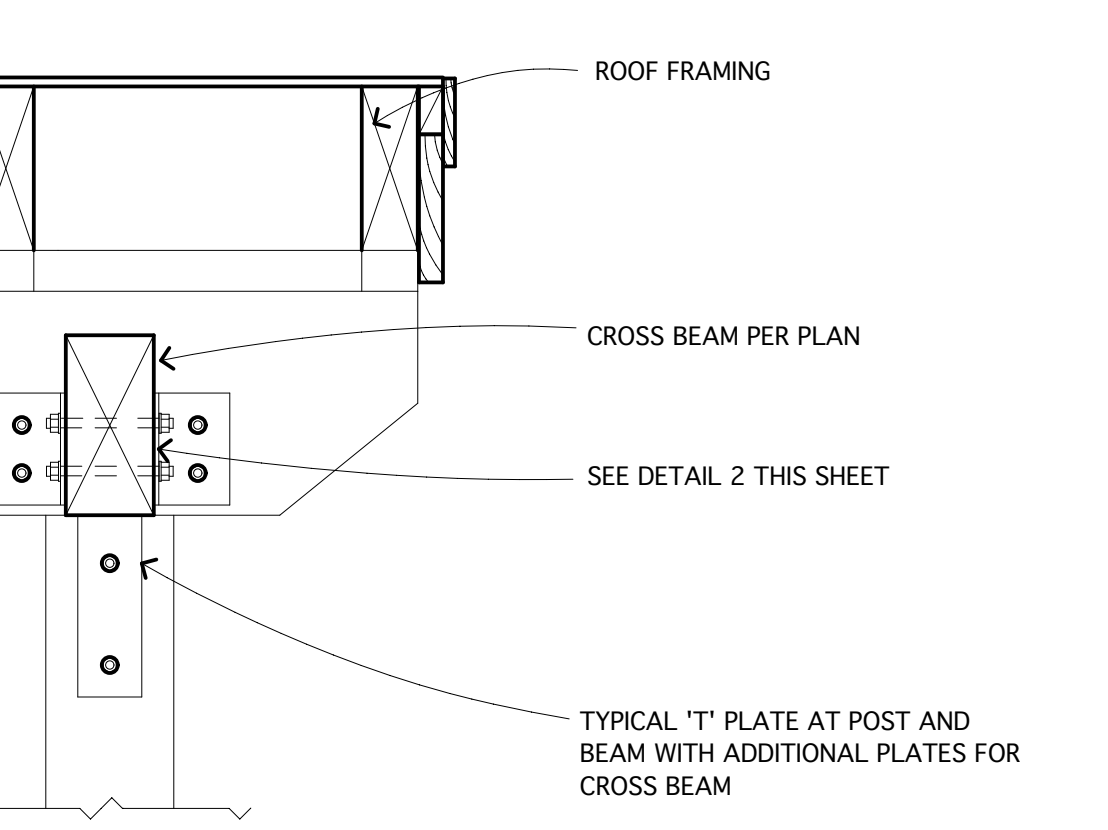
**RIDGE BEAM W/ KNEE BRACE** 10  
SCALE 1" = 1'-0"



**EAVE BEAM W/ KNEE BRACE** 9  
SCALE 1" = 1'-0"



**TYPICAL ROOF BEAM TO COLUMN** 14  
SCALE 1" = 1'-0"



**BEAM AT END POST (INSIDE)** 13  
SCALE 1" = 1'-0"

**BEAM AT END POST (INSIDE)** 13  
SCALE 1" = 1'-0"