

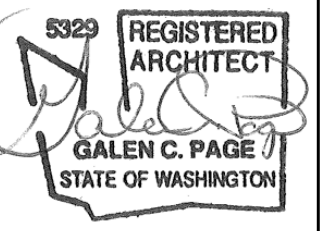
PERMIT SET

JOB NO: 13.39

DATE: 10/11/2013

REVISIONS:

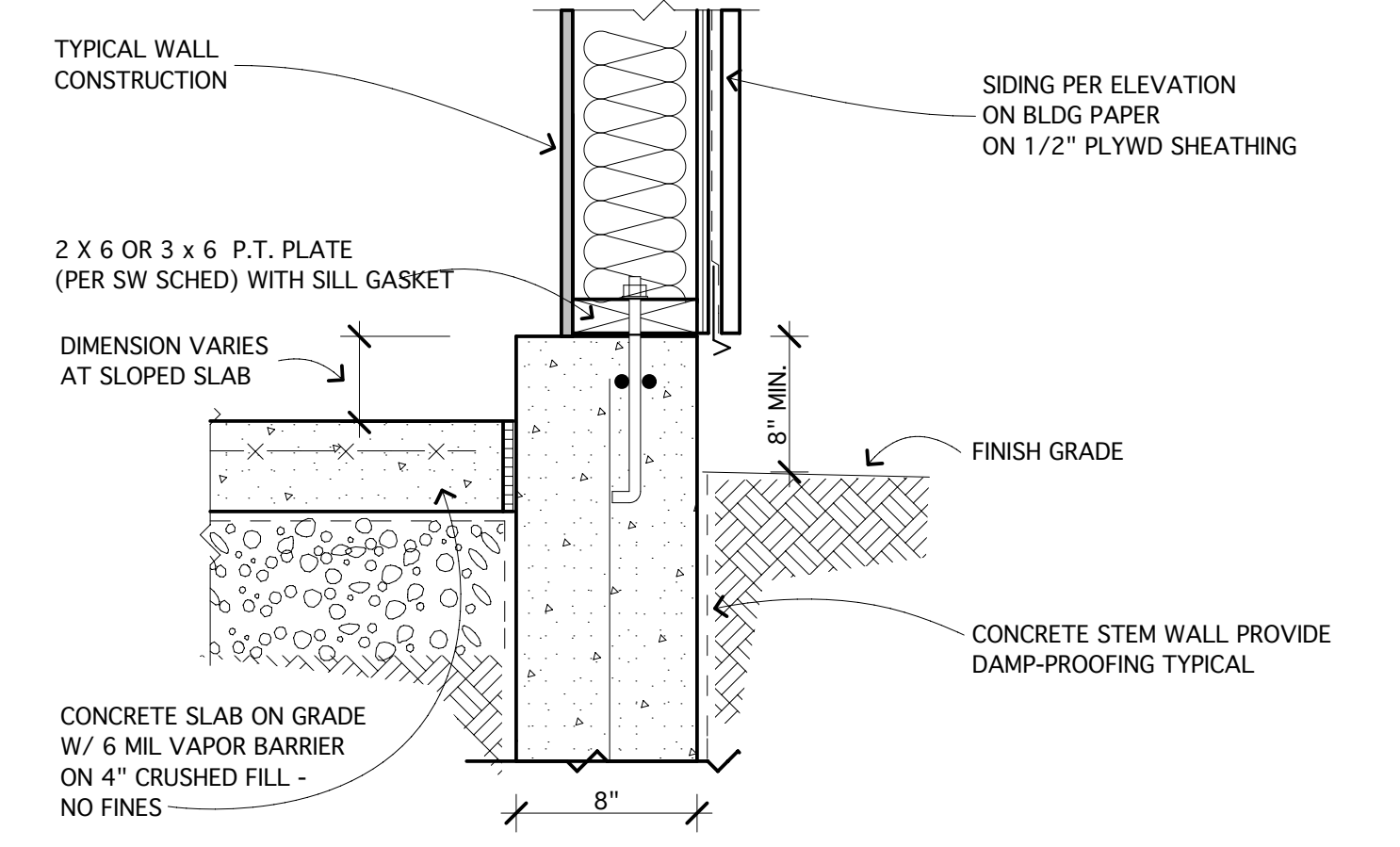
THIS DOCUMENT REPRESENTS A PROPRIETARY DESIGN OWNED BY THE ARCHITECT AND SHALL NOT BE USED ON OTHER PROJECTS FOR ADDITIONS TO THIS PROJECT OR FOR COMPLETION OF THIS PROJECT BY OTHERS EXCEPT BY PRIOR ARRANGEMENT IN WRITING.
 © PAGE & BEARD ARCHITECTS, P.S.



EXTERIOR DETAILS

SHEET

A-8.0

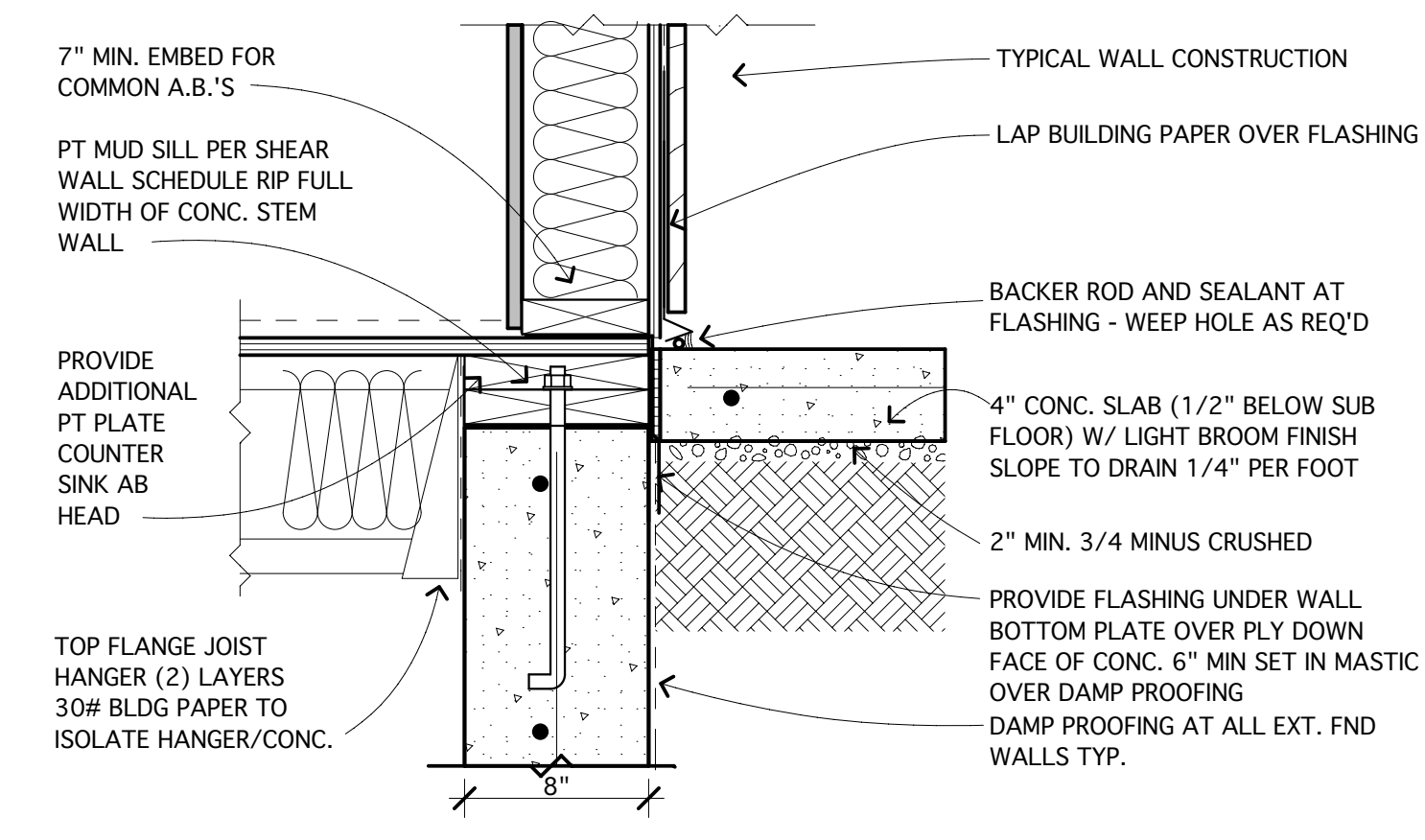


TYP. GARAGE FOUNDATION

SCALE 1 1/2" = 1' - 0"

4

© 2013 PAGE AND BEARD ARCHITECTS. MT STUART DETAILS. (1) X 6.0 COPY & REWIND. Thu 05/28/13, 09:15

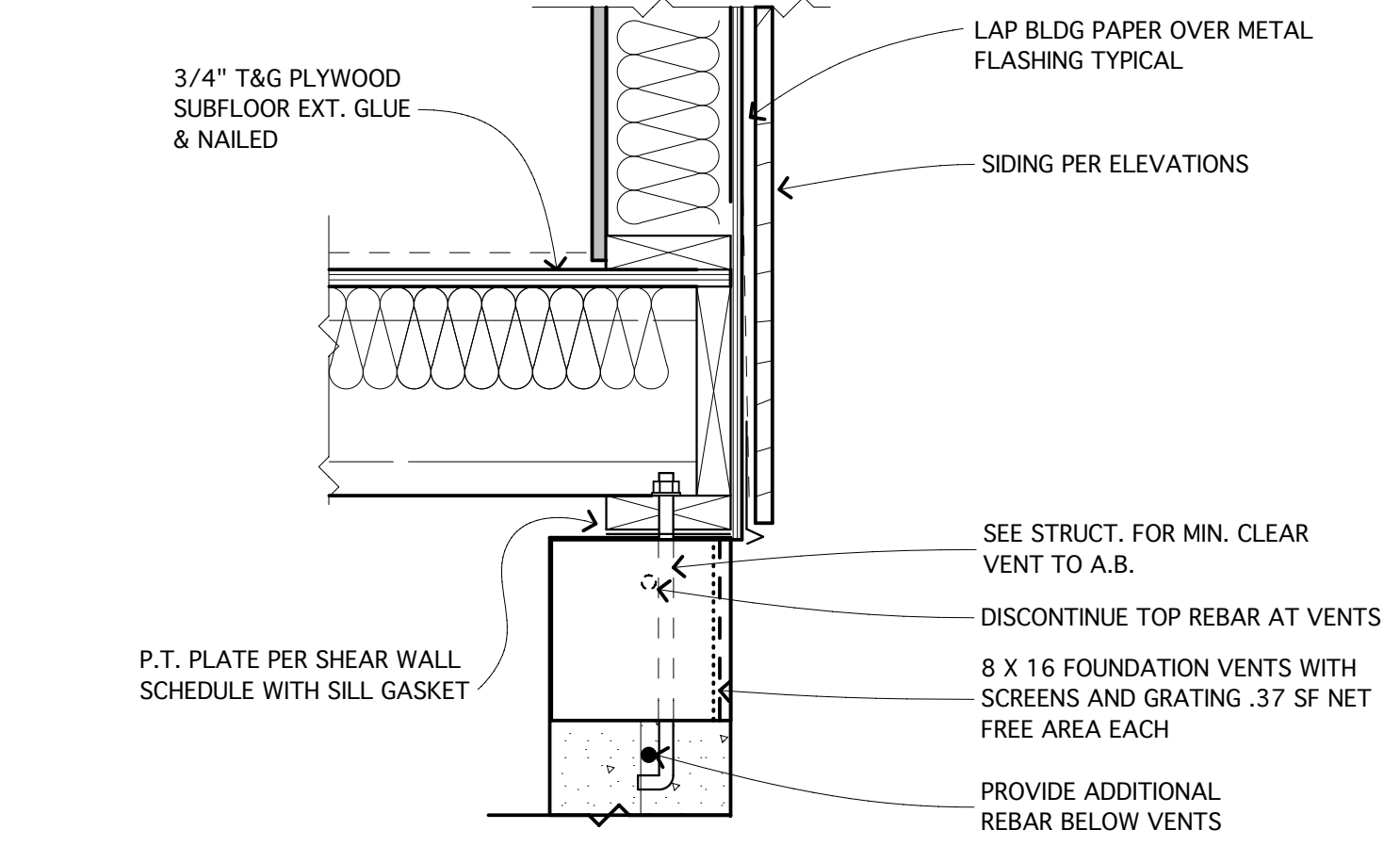


PORCH SLAB/RAISED FDN.

SCALE 1 1/2" = 1' - 0"

3

© 2013 PAGE AND BEARD ARCHITECTS. MT STUART DETAILS. (1) X 6.0 COPY & REWIND. Thu 05/28/13, 09:15

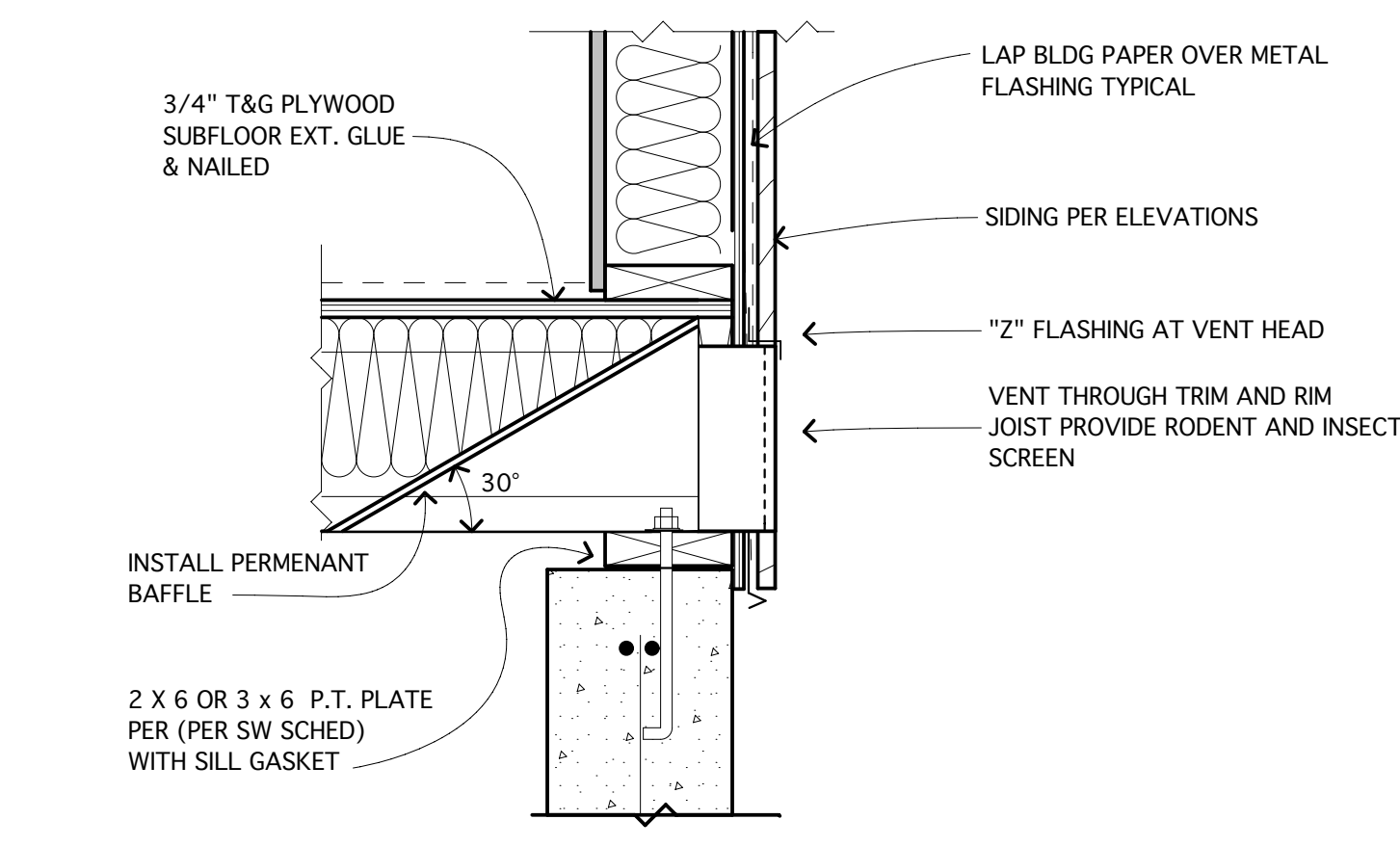


TYPICAL CRAWLSPACE VENT

SCALE 1 1/2" = 1' - 0"

2

© 2013 PAGE AND BEARD ARCHITECTS. MT STUART DETAILS. (1) X 6.0 COPY & REWIND. Thu 05/28/13, 09:15

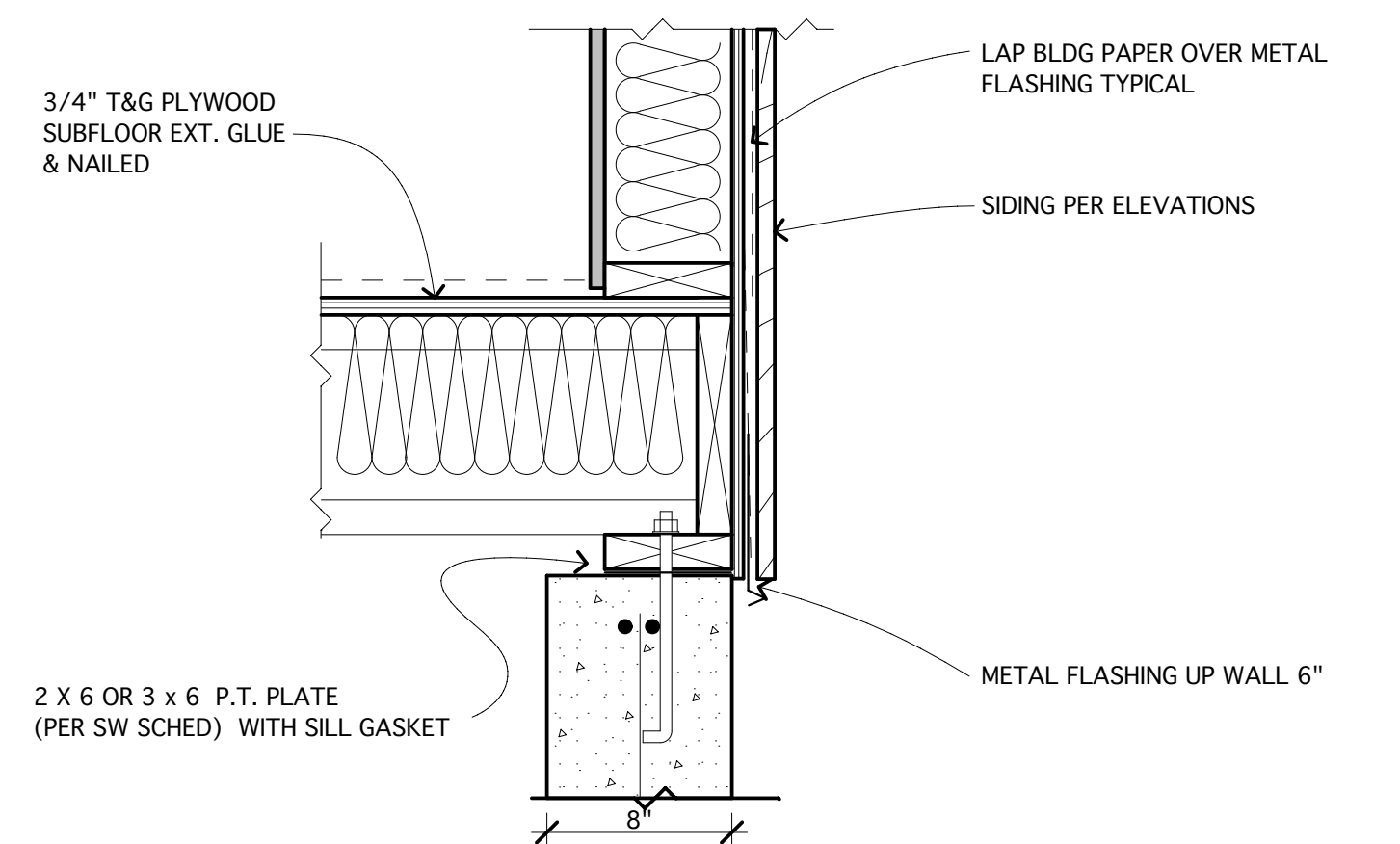


RIM JOIST CRAWL VENT

SCALE 1 1/2" = 1' - 0"

7

© 2013 PAGE AND BEARD ARCHITECTS. MT STUART DETAILS. (1) X 6.0 COPY & REWIND. Thu 05/28/13, 09:15

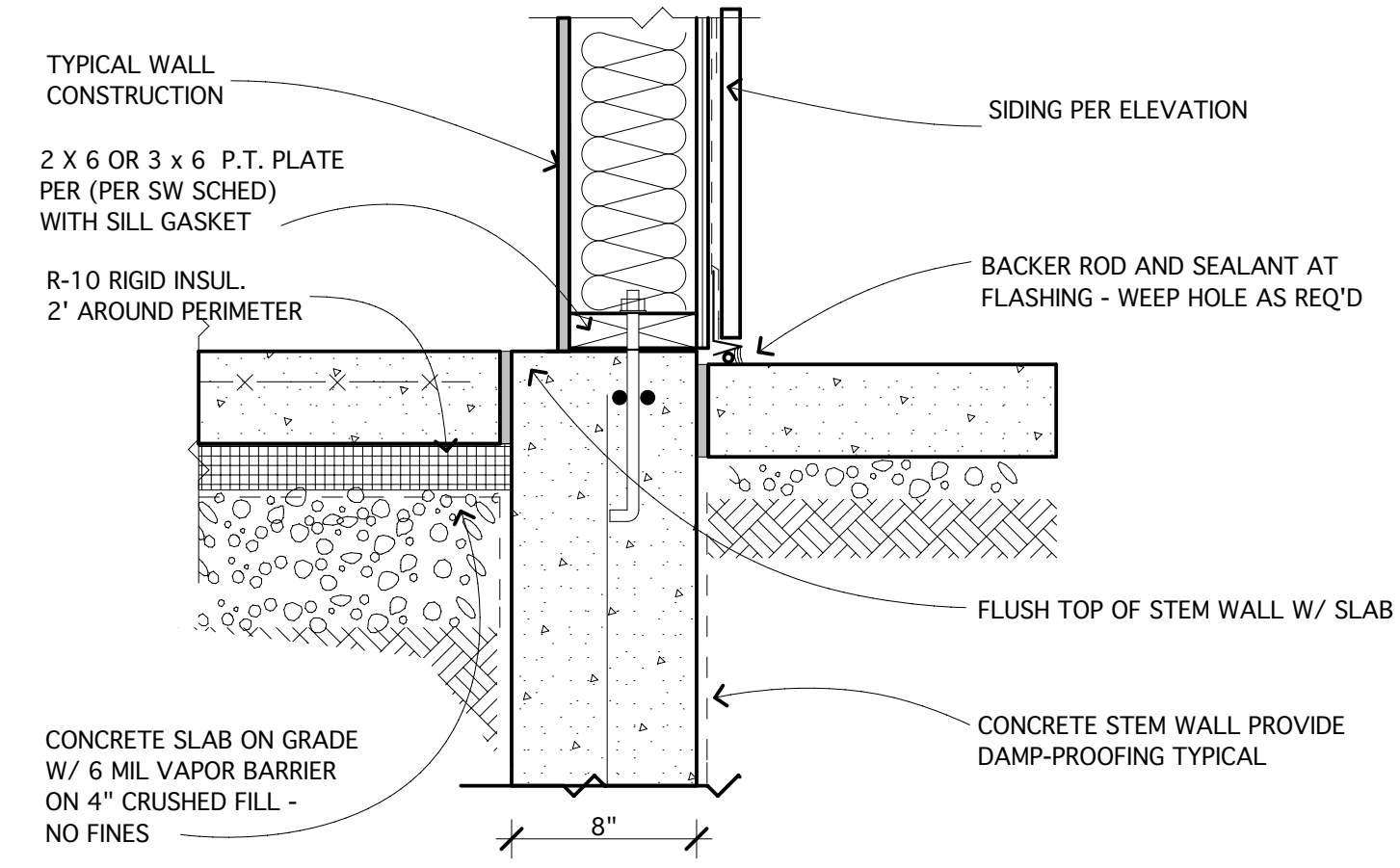


TYPICAL FOUNDATION AT SIDING

SCALE 1 1/2" = 1' - 0"

6

© 2013 PAGE AND BEARD ARCHITECTS. MT STUART DETAILS. (1) X 6.0 COPY & REWIND. Thu 05/28/13, 09:15

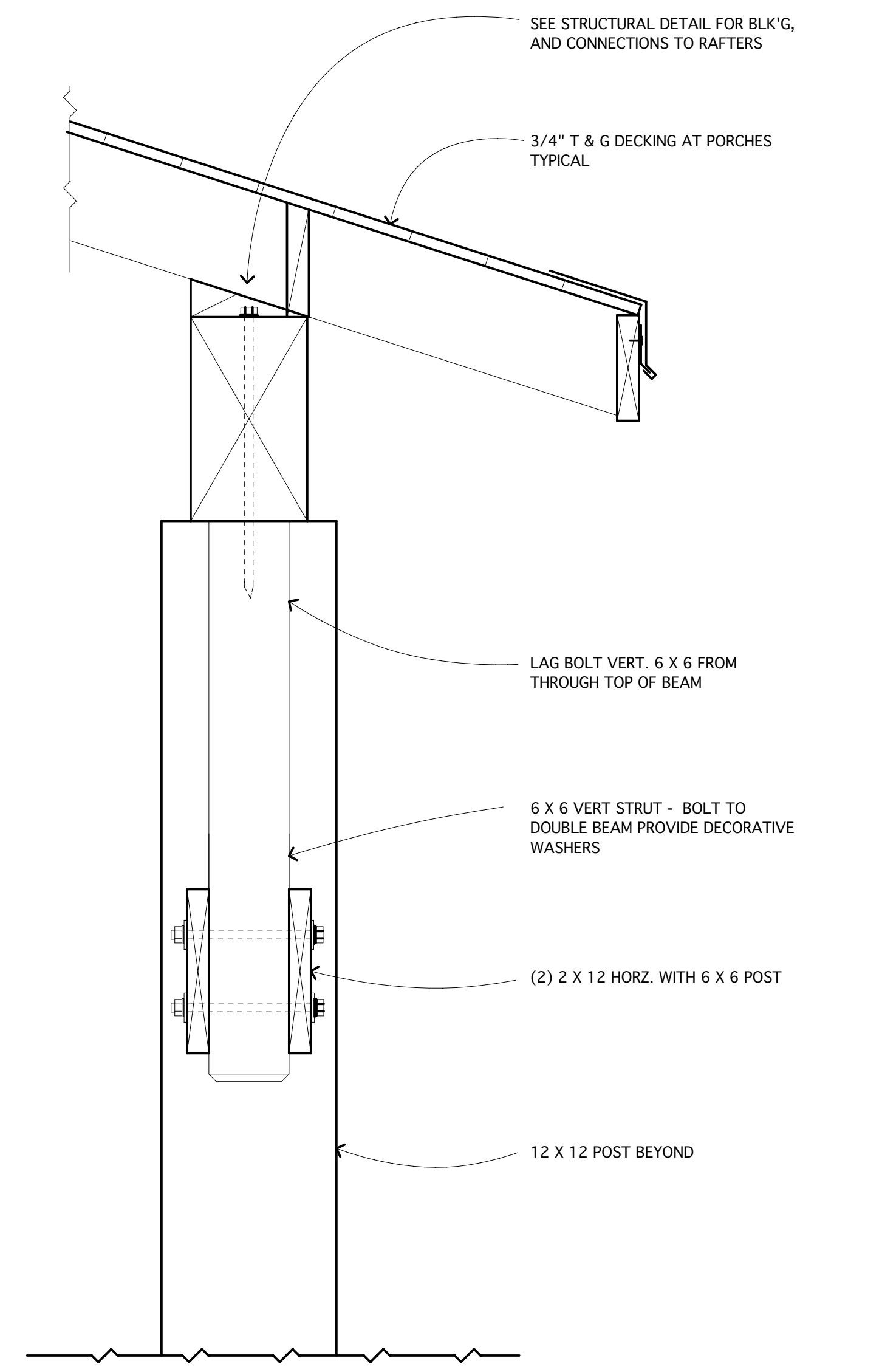


GARAGE FOUNDATION AT STAIR

SCALE 1 1/2" = 1' - 0"

5

© 2013 PAGE AND BEARD ARCHITECTS. MT STUART DETAILS. (1) X 6.0 COPY & REWIND. Thu 05/28/13, 09:15

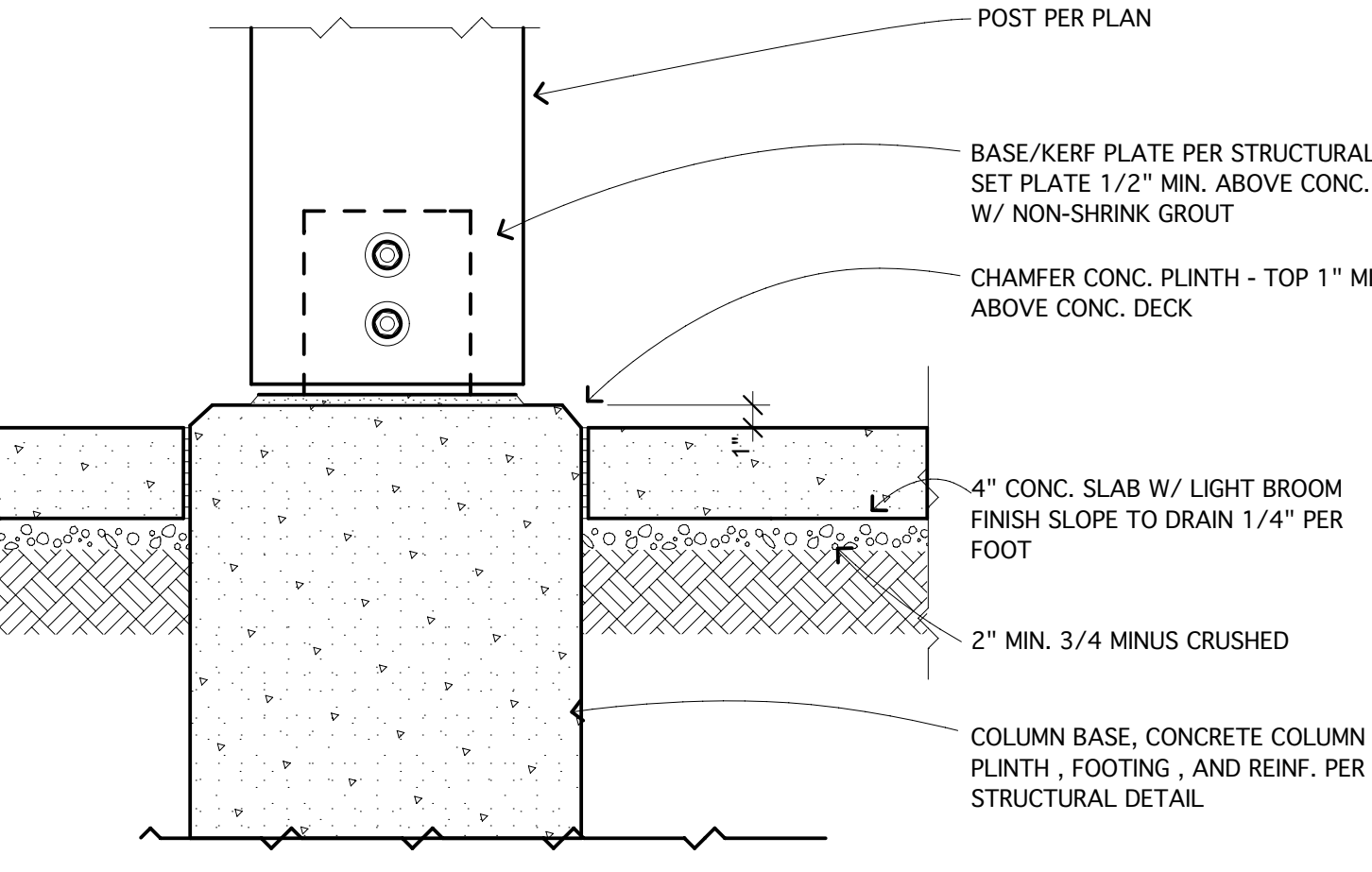


DECORATIVE BEAM/POST AT PORCH

SCALE 1 1/2" = 1' - 0"

10

© 2013 PAGE AND BEARD ARCHITECTS. MT STUART DETAILS. (1) X 6.0 COPY & REWIND. Thu 05/28/13, 09:15

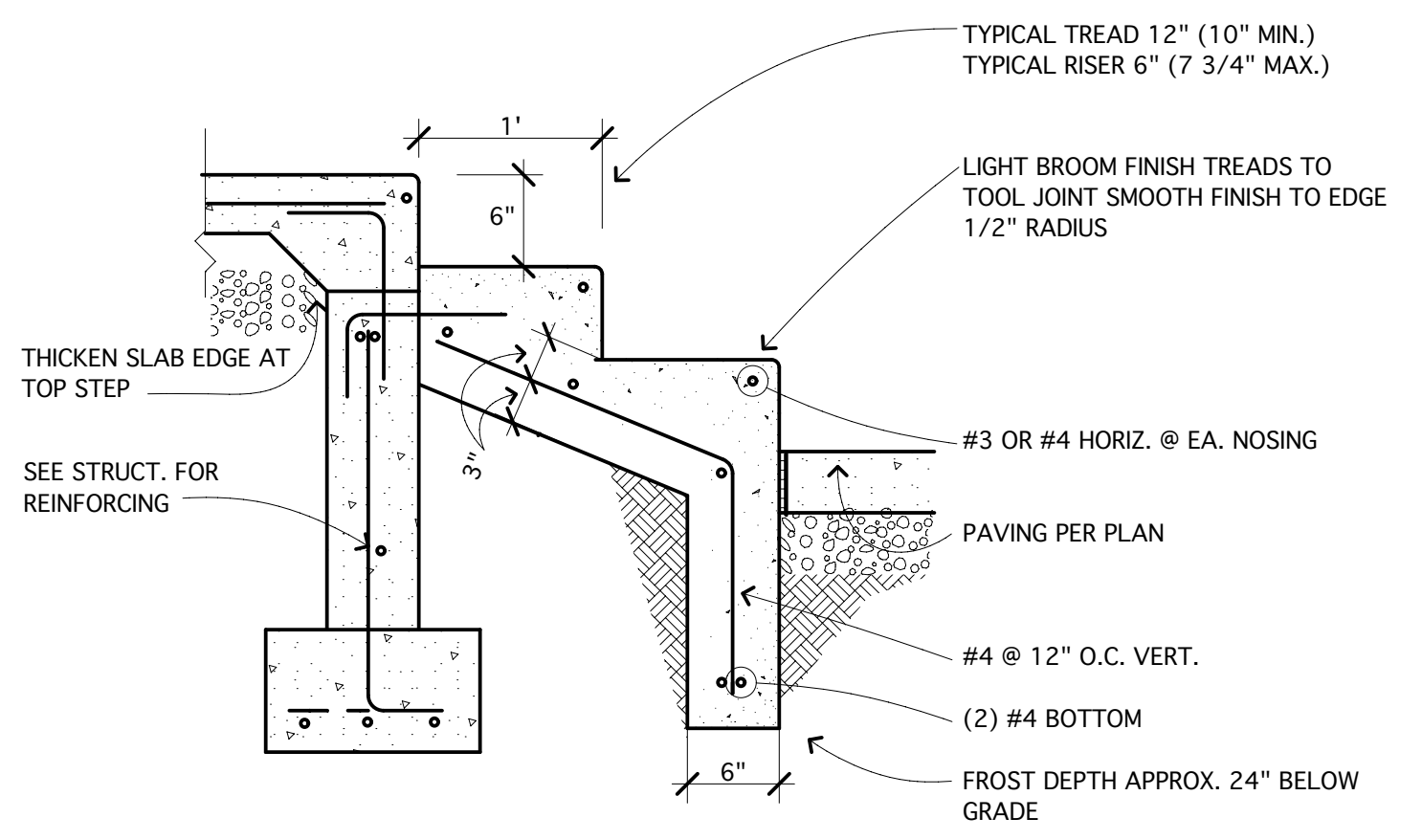


PORCH COLUMN AT DECK

SCALE 1 1/2" = 1' - 0"

9

© 2013 PAGE AND BEARD ARCHITECTS. MT STUART DETAILS. (1) X 6.0 COPY & REWIND. Thu 05/28/13, 09:15

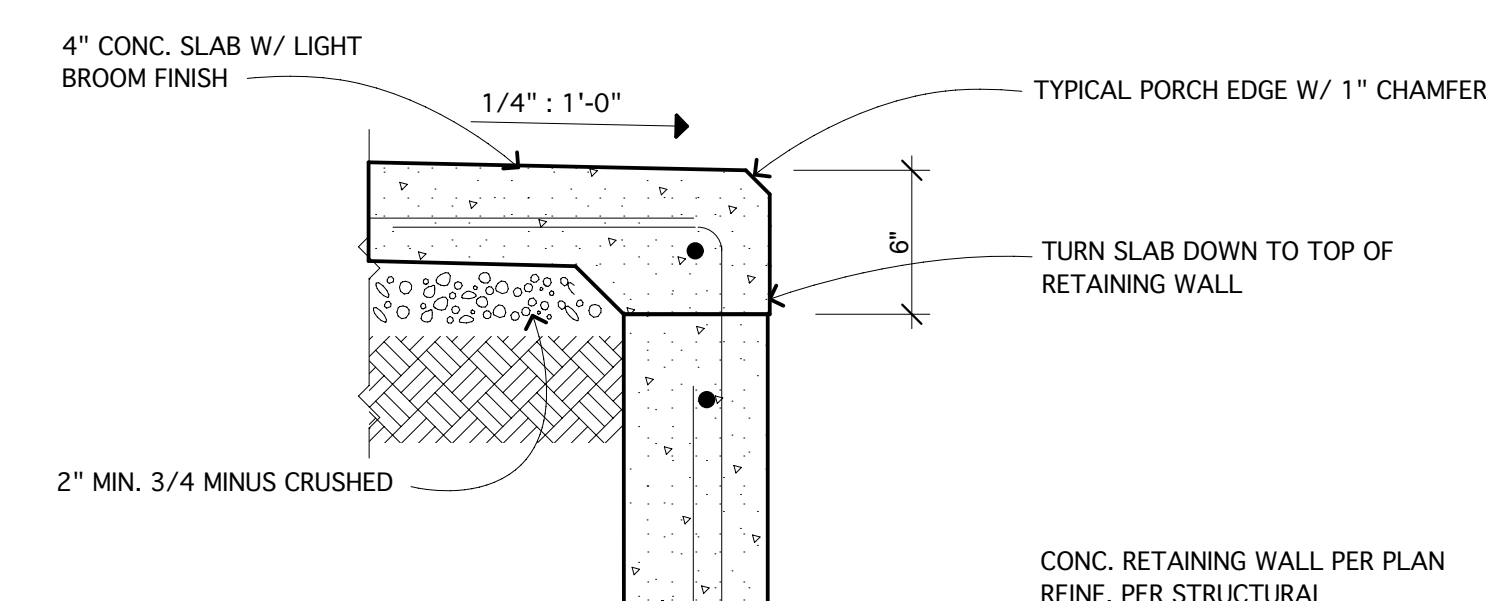


TYPICAL EXTERIOR STEPS

SCALE 1" = 1' - 0"

13

© 2013 PAGE AND BEARD ARCHITECTS. MT STUART DETAILS. (1) X 6.0 COPY & REWIND. Thu 05/28/13, 09:15



PATIO EDGE

SCALE 1 1/2" = 1' - 0"

1

© 2013 PAGE AND BEARD ARCHITECTS. MT STUART DETAILS. (1) X 6.0 COPY & REWIND. Thu 05/28/13, 09:15